

[54] KARATE GLOVE

[76] Inventor: Jhoon Goo Rhee, 2525 No. Ridgeview Rd., Arlington, Va. 22207

[22] Filed: Aug. 30, 1973

[21] Appl. No.: 393,034

Related U.S. Application Data

[63] Continuation-in-part of Ser. No. 252,054, May 10, 1972, abandoned.

[52] U.S. Cl. .... 2/18, 2/161 A

[51] Int. Cl. .... A41d 13/08

[58] Field of Search ..... 2/18, 19, 20, 21, 161 R, 2/161 A, 162, 163, 165, 166, 159, 160

[56] References Cited

UNITED STATES PATENTS

961,149 6/1910 Maynard ..... 2/18  
2,574,086 11/1951 Broderick ..... 2/18

2,907,047 10/1959 Steinberg ..... 2/161  
3,141,173 7/1964 Jackson et al. .... 2/161  
3,217,332 11/1965 Gross ..... 2/16

FOREIGN PATENTS OR APPLICATIONS

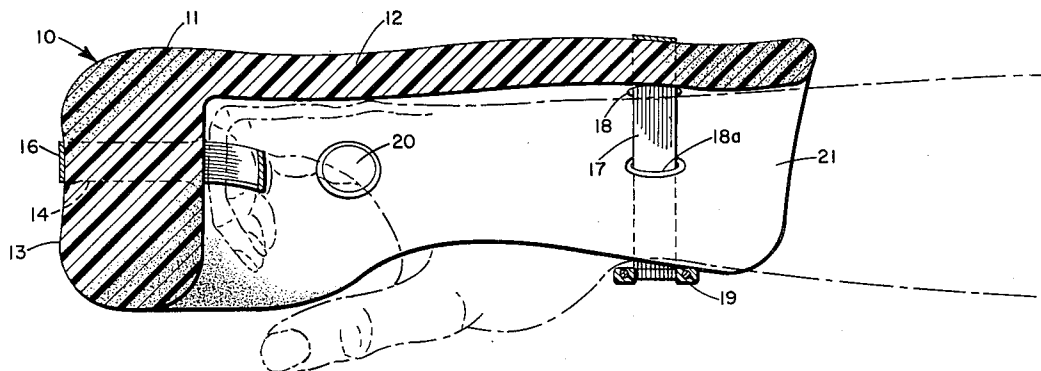
719,956 12/1954 Great Britain ..... 2/18

Primary Examiner—Werner H. Schroeder  
Attorney, Agent, or Firm—Millen, Raptis & White

[57] ABSTRACT

The invention relates to protective gloves useful in the art of karate, etc. The glove comprises a tough outer casing with resilient foam means therein. Various embodiments of the glove are disclosed which are adapted to protect the hand of the wearer, and also the wrist and a portion of the arm. The glove is detachably retained on the hand by various types of strap means.

9 Claims, 8 Drawing Figures



238,121

## PROTECTIVE HELMET OR THE LIKE

Jhoon Goo Rhee, 2525 N. Ridgeview Road,  
Arlington, Va. 22207

Filed Nov. 27, 1974, Ser. No. 527,904

Term of patent 14 years

Int. Cl. D2—03

U.S. Cl. D2—232

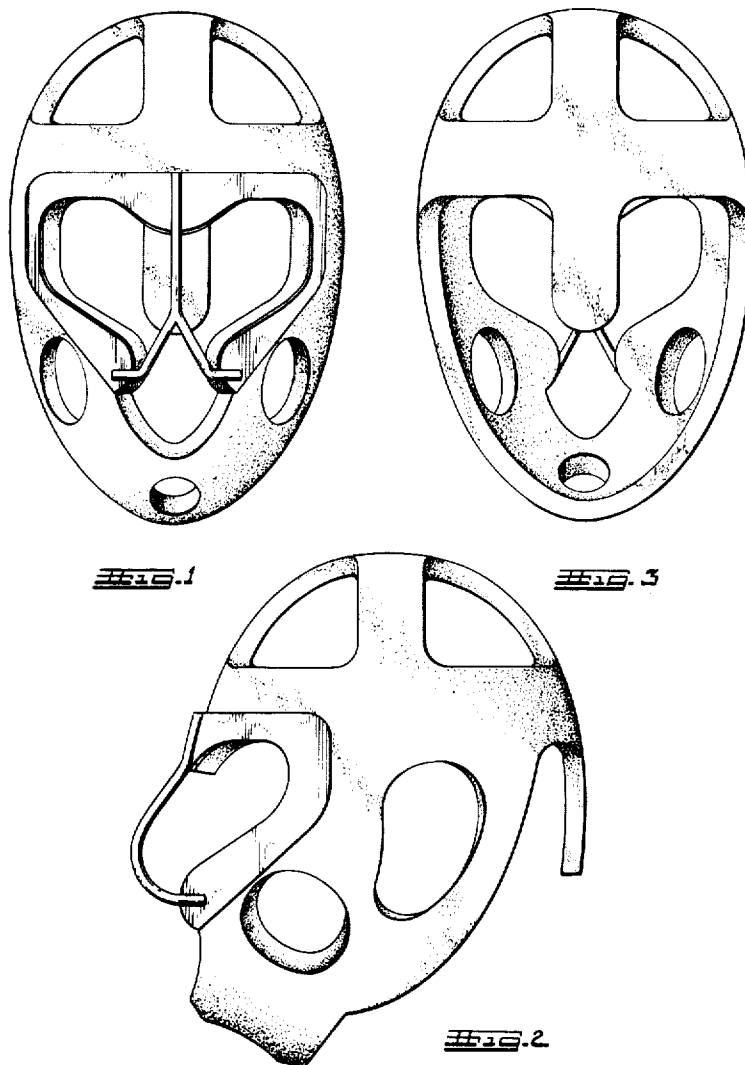


FIG. 1 is a front elevational view of a protective helmet showing my new design;

FIG. 2 is a side elevational view thereof; and

FIG. 3 is a rear elevational view.

I claim:

The ornamental design for a protective helmet or the like, as shown.

### References Cited

#### UNITED STATES PATENTS

D. 190,716	6/1961	McMillan	-----	D2—233
D. 217,894	6/1970	Mikita	-----	D2—231
3,594,815	7/1971	Reese	-----	2—3 R

LOIS S. LANIER, Primary Examiner

[54] **PROTECTIVE SHOE**

2,814,887 12/1957 Hockley..... 36/2.5 A  
3,769,722 11/1973 Rhee..... 36/2 R

[76] Inventor: **Jhoon Goo Rhee**, 2525 N. Ridgeview Road, Arlington, Va. 22207

Primary Examiner—Patrick D. Lawson  
Attorney, Agent, or Firm—Millen, Rapses & White

[22] Filed: **Aug. 4, 1975**

[21] Appl. No.: **601,440**

[57] **ABSTRACT**

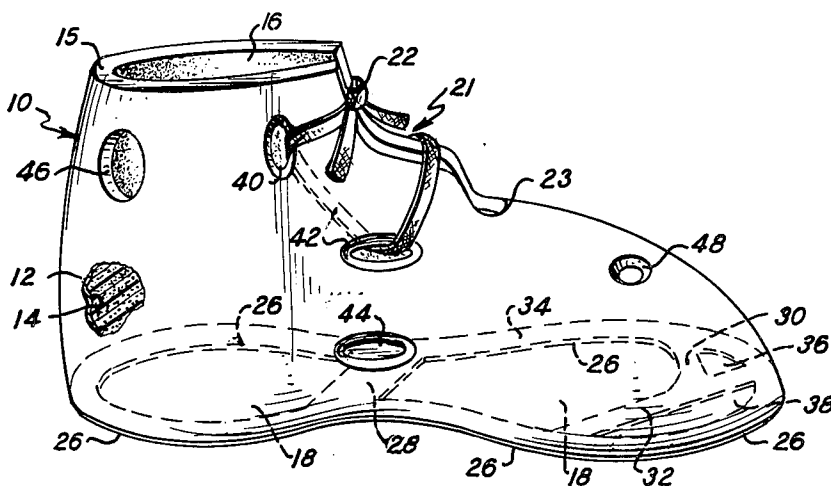
The invention relates to a protective shoe adapted to protect the foot of the wearer thereof engaging in the arts of karate, kung fu, etc. The shoe comprises a casing containing an energy-absorbent soft resilient material substantially open at the bottom. A retaining means on the open bottom is provided for aiding in the retention of the shoe on the foot of the wearer. Straps are also provided for aiding in the retention and for tightening the shoe on the foot of the wearer.

[52] U.S. Cl..... **36/2 R**  
[51] Int. Cl.<sup>2</sup>..... **A41D 17/00**  
[58] Field of Search..... 36/2 R, 7.1 R, 7.3, 2.5 R, 36/1.5, 2 A, 2 B, 8.1

[56] **References Cited**  
**UNITED STATES PATENTS**

2,541,738 2/1951 Bassichis..... 36/8.1  
2,657,477 11/1953 Winslow..... 36/2 R

**6 Claims, 3 Drawing Figures**



[54] KARATE GLOVE

[76] Inventor: Jhoon G. Rhee, 6210 Chillum Pl., NW., Washington, D.C. 20011

[21] Appl. No.: 714,395

[22] Filed: Mar. 21, 1985

[51] Int. Cl.<sup>4</sup> ..... A41D 13/10

[52] U.S. Cl. .... 2/16; 2/18; 2/161 A

[58] Field of Search ..... 2/16, 161 A, 18

[56] References Cited

U.S. PATENT DOCUMENTS

3,903,546	9/1975	Rhee	2/16
3,924,272	12/1975	Alen et al.	2/16
3,945,045	3/1976	Rhee	2/16
4,062,073	12/1977	Rhee	2/16
4,287,610	9/1981	Rhee	2/18
4,290,147	9/1981	Brückner et al.	2/161 A

FOREIGN PATENT DOCUMENTS

0054949	6/1982	European Pat. Off.	2/16
---------	--------	--------------------	------

Primary Examiner—Louis K. Rimrodt  
Attorney, Agent, or Firm—James C. Wray

[57] ABSTRACT

A unitary flexible protective glove molded of a resilient material and adapted to be easily worn on the hand for use in the art of karate and the like is disclosed. The glove, when worn, covers a portion of the lower forearm, the wrist, and the hand. The portion of the glove covering the wrist and hand is substantially tubular in shape and designed to wrap around the wrist and forearm without the need of any securing means. There is a thumb pocket having on the inside a restraining strap. There is also a grip loop for the index, middle, ring and little fingers which is in close proximity to a finger padding section. The finger padding section and grip loop are held in close proximity by a bridging strap. The glove is designed to facilitate easy insertion of the hand without the need of securing straps.

5 Claims, 5 Drawing Figures

